



# Ortho CAPE

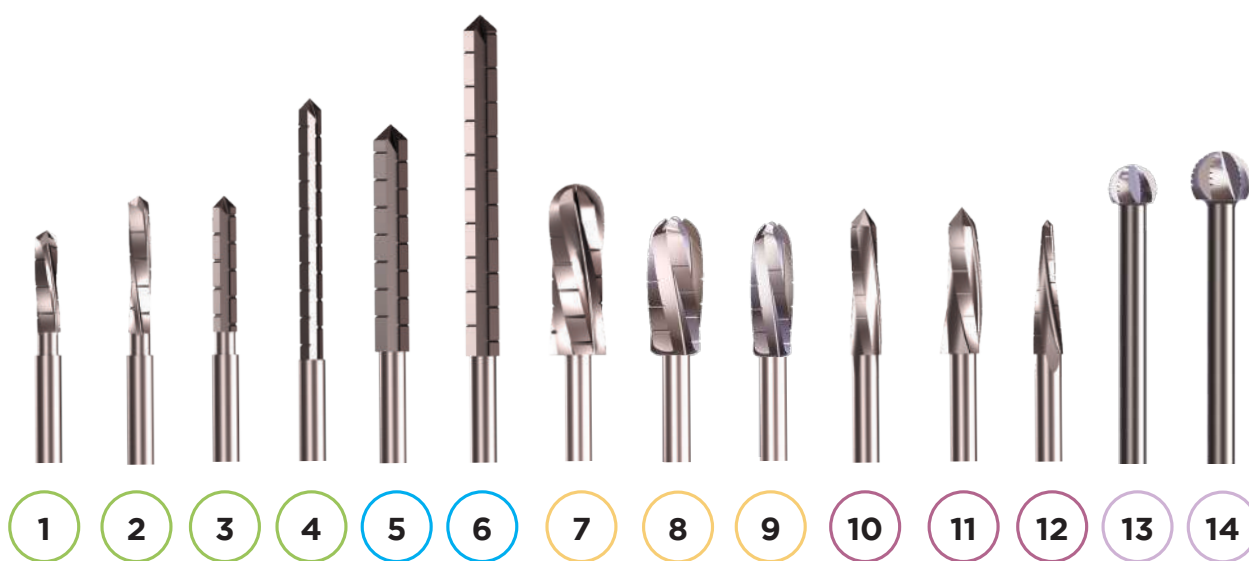
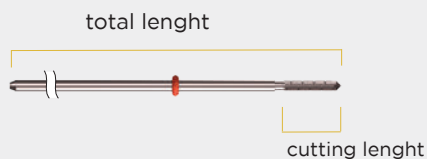
## FOOT SURGERY

For any questions regarding our products,  
contact us at [info@ortho-cape.com](mailto:info@ortho-cape.com)

# PERCUTANEOUS BURRS

OrthoCAPE

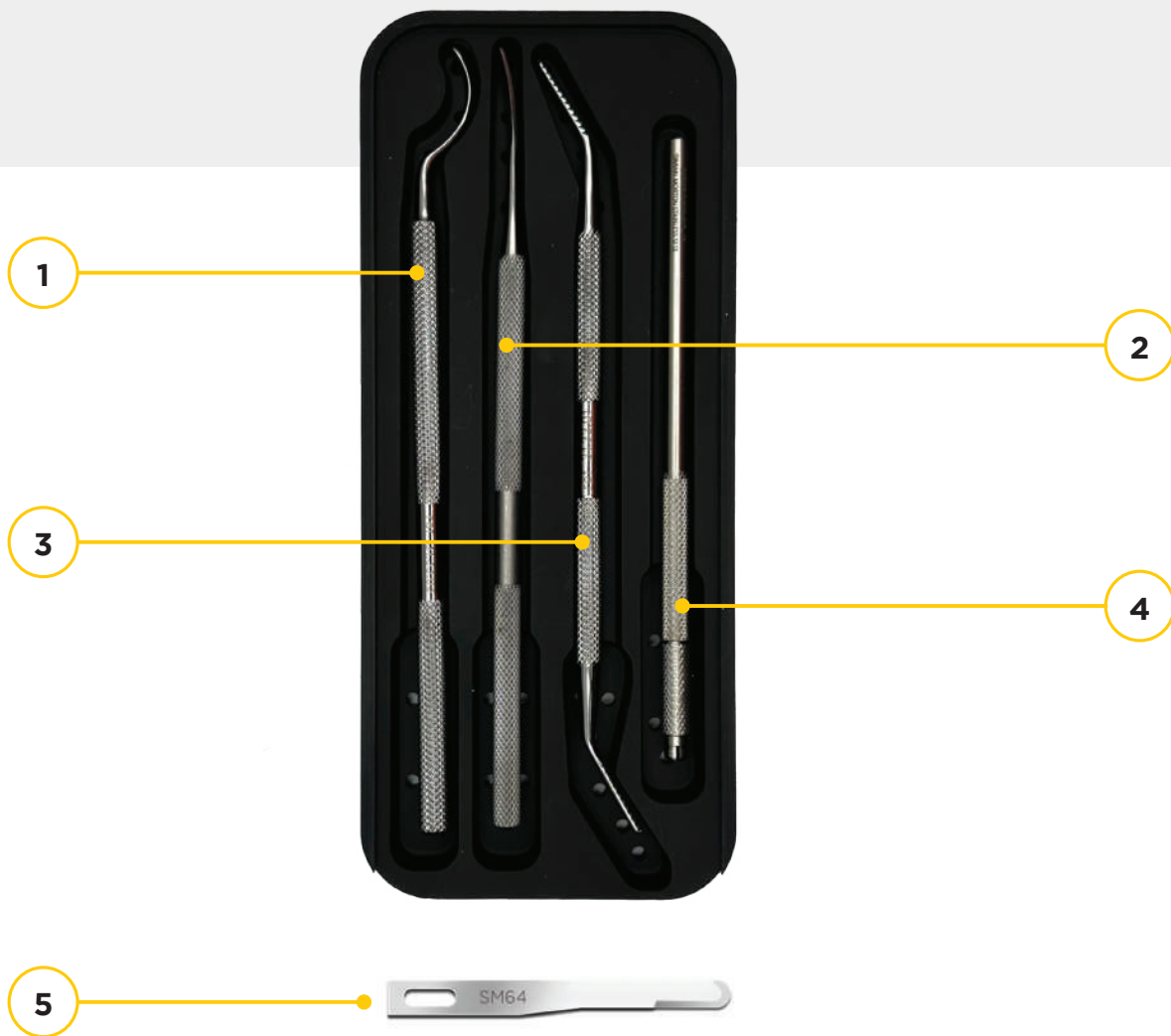
- X90CrMoV18 Steel burrs
- Percutaneous surgery
- Singly sterile packaging
- Standards burrs Ø 2.32 Lg 70



	N°	REF.	Ø	CUTTING LG	TOTAL LG	
SHANNON SHORT	①	38.37.01	2 MM	8 MM	70 MM	
SHANNON LONG	②	38.37.02	2 MM	12 MM	70 MM	
SHANNON ISHAM	③	38.37.03	2 MM	12 MM	70 MM	
SHANNON XL	④	38.37.07	2 MM	22 MM	70 MM	
SHANNON XXL	⑤	38.37.08	3 MM	20 MM	70 MM	
SHANNON XXL LG 30	⑥	38.37.09	3 MM	30 MM	100 MM	
BROPHY	⑦	38.37.06	5 MM	15 MM	70 MM	
BROPHY SHORT	⑧	38.37.0X	5 MM	13 MM	70 MM	coming soon
BROPHY SLIM	⑨	38.37.0X	4 MM	13 MM	70 MM	coming soon
WEDGE Ø3,1	⑩	38.37.04	3,1 MM	13 MM	70 MM	
WEDGE Ø4,1	⑪	38.37.05	4,1 MM	13 MM	70 MM	
CONIQUE	⑫	38.37.20	3,1 MM	13 MM	70 MM	
BALL Ø4,0	⑬	38.37.XX	4 MM	3 MM	70 MM	coming soon
BALL Ø5,0	⑭	38.37.XX	5 MM	4 MM	70 MM	coming soon

# PERCUTANEOUS INSTRUMENTS

OrthoCAPE



N°	PRODUCT	REF.
1	Elevator	31.33.02
2	Bone lever	31.33.03
3	Bone rasp	31.33.01
4	Surgical beaver blade holder 15.5cm	6061
5	Beaver blades (box of 25) SM64	5904
6	Storage box	14.10.99

# OUR RANGE OF SCREWS

SCREWDRIVER



Ø2.0 Ø2.5



Ø 3.0 Ø 4.0

**MI SCREW**

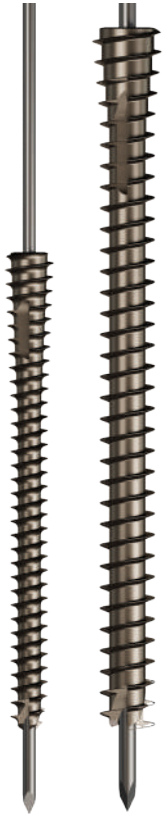
Ø2.5 Ø4.0



Ø 4.6 Ø 7.0

**EAGLE**

Ø2.5 Ø4.0



Ø 4.6 Ø 7.0

**ARTHROSTAB**

SCREWDRIVER



Ø2.0



Ø 2.0

**MISS**

Ø2.0



Ø 2.0

**S.B.S.**

Torx T7



Ø 2.5

**MY SCREW**

Ø2.0



Ø 2.6

**PPDA**

Ø2.0



Ø 3.0

# OUR REFERENCES

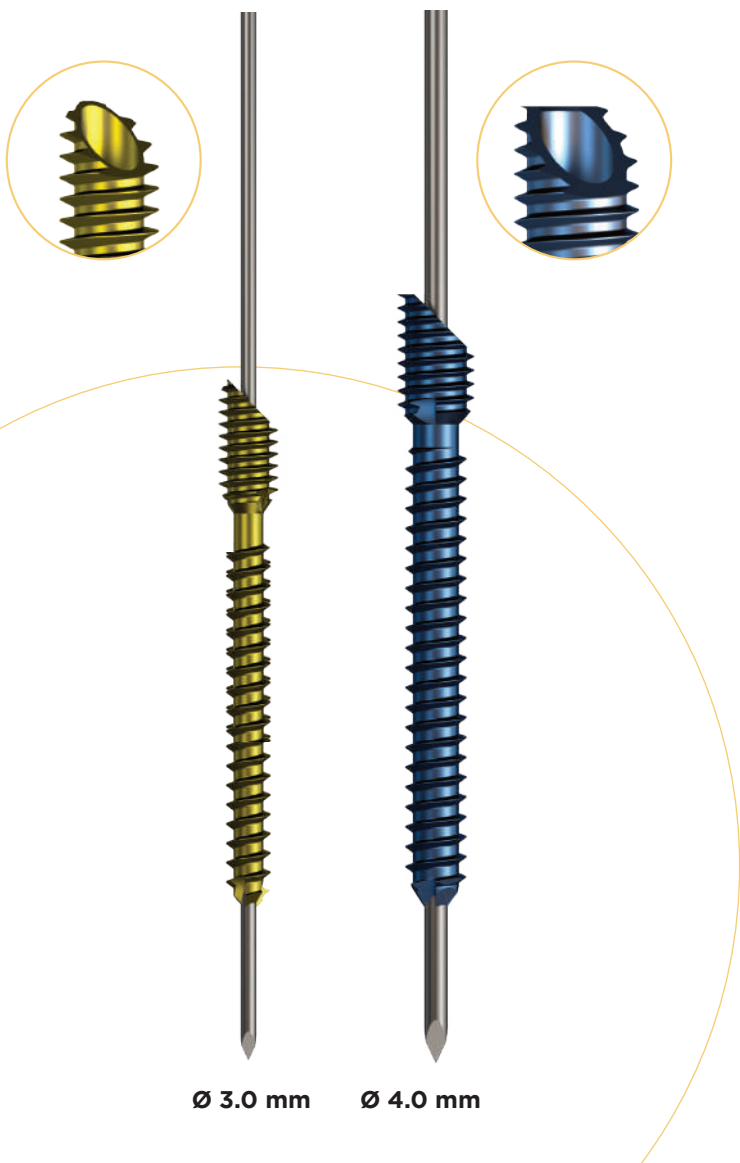
OrthoCAPE

SCREWS				
NAME	Ø	LONG.		REF.
MI SCREW Ø3.0	3.0	18 to 60 MM		38.92.xx
MI SCREW Ø4.0	4.0	32 to 60 MM		38.23.xx
EAGLE Ø4.6	4.6	20 to 60 MM		38.98.xx
EAGLE Ø7.0	7.0	30 to 90 MM	THREAD 16	38.99.xxA
EAGLE Ø7.0	7.0	55 to 90 MM	THREAD 22	38.99.xxB
EAGLE Ø7.0	7.0	70 to 90 MM	THREAD 28	38.99.xxC
ARTHROSTAB Ø4.6	4.6	20 to 60 MM		38.21.xx
ARTHROSTAB Ø7.0	7.0	30 to 90 MM		38.22.xx
MISS	2.0	13 to 22 MM		38.52.xx
S.B.S.	2.0	5 to 24 MM		14.52.xx
MY SCREW	2.5	12 to 34 MM		38.88.xx
PPDA Ø2.6	2.6	12 to 34 MM		38.49.xx
PPDA Ø3.0	3.0	12 to 34 MM		38.65.xx
Pin	0.8	70 MM		14.63.41
Pin	1.0	70 MM		14.63.01
Pin	1.0	150 MM	1 TIP	14.63.48
Pin	1.50	150 MM	1 TIP	14.63.44
Pin	2.2	200 MM	1 TIP	14.63.10

# MI SCREW

Ø 3.0 MM Ø 4.0 MM

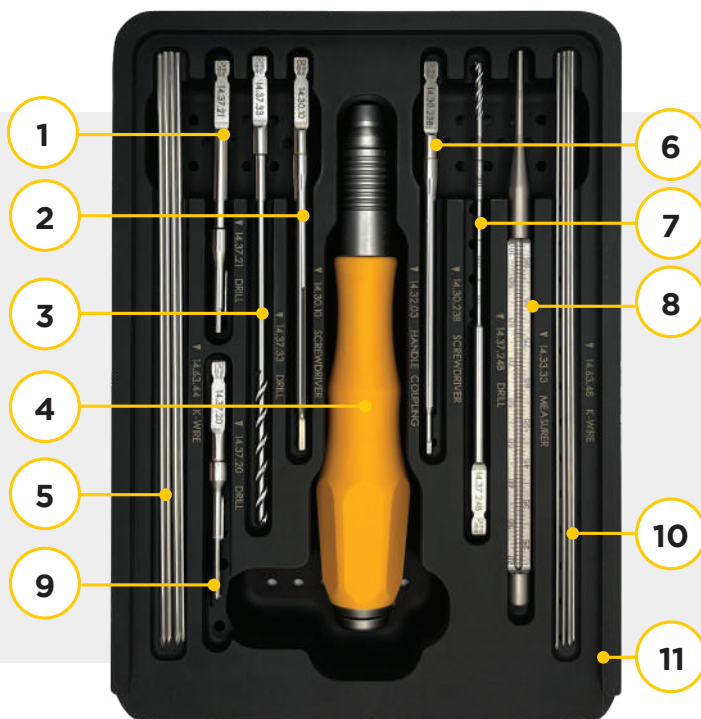
- Standard ISO 5832-3 Titanium screw
- Self-drilling self-tapping screw
- Forefoot
- Sterile packaging
- Pin (K-Wire) Ø 1.0 for Ø 3.0 mm screw  
Pin (K-Wire) Ø 1.5 for Ø 4.0 mm screw



	Ø 3.0	Ø 4.0
LONG.	REF.	REF.
18	38.92.18	
20	38.92.20	
22	38.92.22	
24	38.92.24	
26	38.92.26	
28	38.92.28	
30	38.92.30	
32	38.92.32	38.23.32
34	38.92.34	38.23.34
36	38.92.36	38.23.36
38	38.92.38	38.23.38
40	38.92.40	38.23.40
42	38.92.42	38.23.42
44	38.92.44	38.23.44
46	38.92.46	38.23.46
48	38.92.48	38.23.48
50	38.92.50	38.23.50
52	38.92.52	38.23.52
54	38.92.54	38.23.54
56	38.92.56	38.23.56
58	38.92.58	38.23.58
60	38.92.60	38.23.60

## INSTRUMENTS

N°	PRODUCTS	REF.
1	Drill head for Ø 4.0 screw	14.37.21
2	Screwdriver blade for Ø 4.0 screw	14.30.10
3	Drill for Ø 4.0 screw	14.37.33
4	Screwdriver handle AO	14.32.03
5	K-wire Ø 1.50 Lg 150 mm 1 tip	14.63.44
6	Screwdriver blade for Ø 3.0 screw	14.30.23
7	Drill for Ø 3.0 screw	14.37.24
8	Measurer	14.33.33
9	Drill for head for Ø 3.0 screw	14.37.20
10	K-wire Ø 1.0 Lg 150 mm 1 tip	14.63.48
11	Storage box	14.10.01



# EAGLE

Ø 4.6 MM    Ø 7.0 MM

- Standard ISO 5832-3 Titanium screw
- Mid and hindfoot
- Sterile packaging
- Pin (K-Wire) Ø 1.5 for Ø 4.6 mm screw  
Pin (K-Wire) Ø 2.2 for Ø 7.0 mm screw

Head Ø 6.0 mm



Head Ø 9.5 mm



Ø 4.6 mm

Ø 7.0 mm

## Ø 4.6 mm

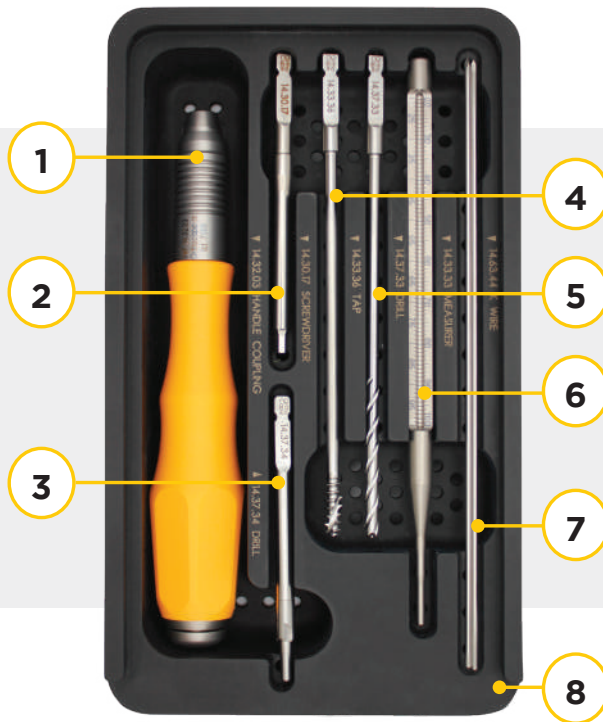
LONG.	REF.
20	38.98.20
22	38.98.22
24	38.98.24
26	38.98.26
28	38.98.28
30	38.98.30
32	38.98.32
34	38.98.34
36	38.98.36
38	38.98.38
40	38.98.40
42	38.98.42
44	38.98.44
46	38.98.46
48	38.98.48
50	38.98.50
52	38.98.52
54	38.98.54
56	38.98.56
58	38.98.58
60	38.98.60

## Ø 7.0 mm

LONG.	REF.	LONG.	REF.	LONG.	REF.
THREAD 16 MM		THREAD 22 MM		THREAD 28 MM	
30	38.99.30A				
35	38.99.35A				
40	38.99.40A				
45	38.99.45A				
50	38.99.50A				
55	38.99.55A	55	38.99.55B		
60	38.99.60A	60	38.99.60B		
65	38.99.65A	65	38.99.65B		
70	38.99.70A	70	38.99.70B	70	38.99.70C
75	38.99.75A	75	38.99.75B	75	38.99.75C
80	38.99.80A	80	38.99.80B	80	38.99.80C
85	38.99.85A	85	38.99.85B	85	38.99.85C
90	38.99.90A	90	38.99.90B	90	38.99.90C

# EAGLE

Ø 4.6 MM Ø 7.0 MM



## Ø 4.6 MM

### INSTRUMENTS

	PRODUCTS	REF.
1	Screwdriver handle AO	14.32.03
2	Screwdriver blade for Ø 4.6 screw	14.30.17
3	Drill head for Ø 4.6 screw	14.37.34
4	Tap Eagle Arthrostab Ø 4.6 screw	14.33.36
5	Drill for Ø 4.6 screw	14.37.33
6	Measurer	14.33.33
7	Pins Ø 1.5 Lg 150 mm 1 punta trocar	14.63.44
8	Storage box	14.10.96

screws are used with 1 tip pin

Ø 1.5 Lg 150 mm



## Ø 7.0 MM

### INSTRUMENTS

	PRODUCTS	REF.
1	Screwdriver handle Eagle Arthrostab Ø 7.0 screw	14.32.04
2	Drill head for Ø 7.0 screw	14.37.35
3	Screwdriver blade canulated for Ø 7.0 screw	14.30.18
4	K-wire Ø 2.2 Lg 200 mm 1 tip	14.63.10
5	Measurer	14.33.34
6	Canulated drill for Ø 7.0 screw	14.37.36
7	Tap Eagle Arthrostab Ø 7.0 screw	14.33.35
8	Screw driver blade for Ø 7.0 screw	14.30.19
9	Storage box	14.10.97

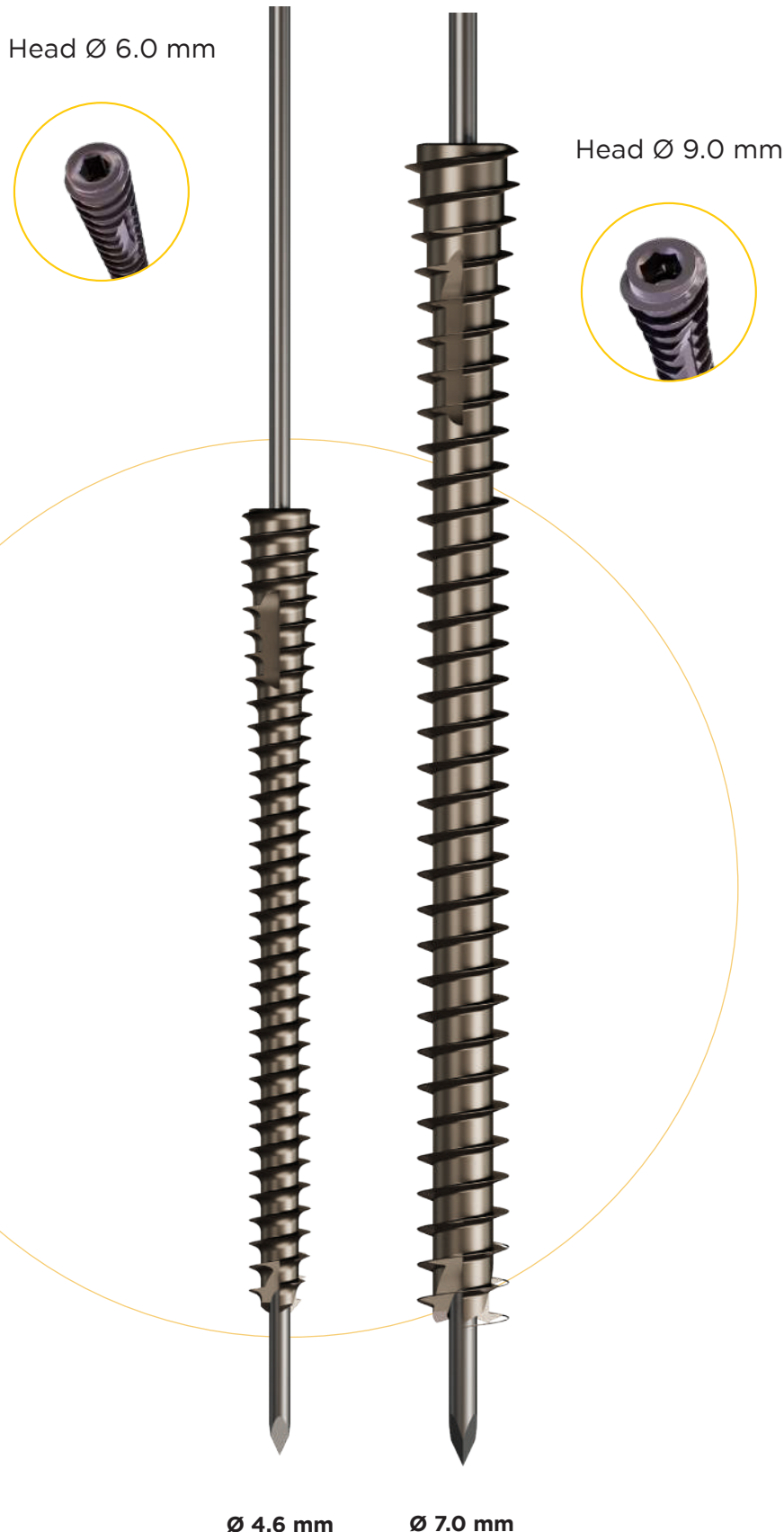
screws are used with 1 tip pin

Ø 2.2 Lg 200 mm

# ARTHROSTAB

Ø 4.6 MM Ø 7.0 MM

- Standard ISO 5832-3 Titanium screw
- Mid and hindfoot
- Sterile packaging
- Pin (K-Wire) Ø 1.5 for Ø 4.6 mm screw  
Pin (K-Wire) Ø 2.2 for Ø 7.0 mm screw



## Ø 4.6 mm

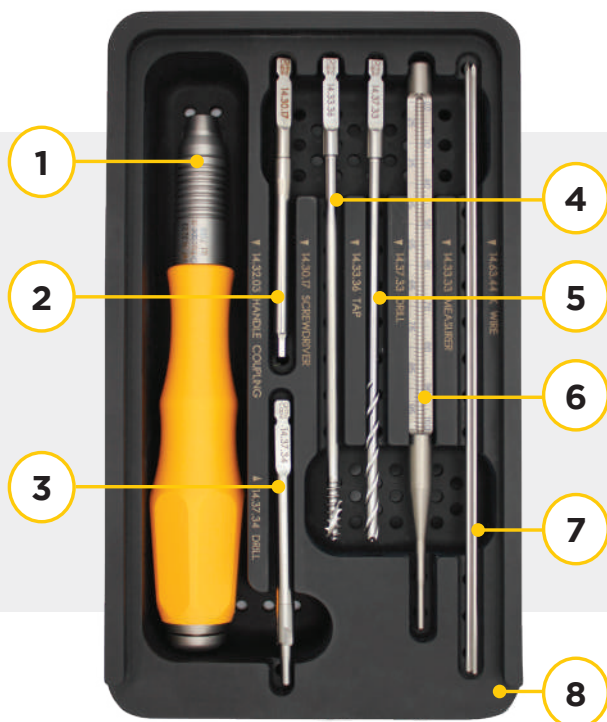
LONG.	REF.
20	38.21.20
22	38.21.22
24	38.21.24
26	38.21.26
28	38.21.28
30	38.21.30
32	38.21.32
34	38.21.34
36	38.21.36
38	38.21.38
40	38.21.40
42	38.21.42
44	38.21.44
46	38.21.46
48	38.21.48
50	38.21.50
52	38.21.52
54	38.21.54
56	38.21.56
58	38.21.58
60	38.21.60

## Ø 7.0 mm

LONG.	REF.
30	38.22.30
35	38.22.35
40	38.22.40
45	38.22.45
50	38.22.50
55	38.22.55
60	38.22.60
65	38.22.65
70	38.22.70
75	38.22.75
80	38.22.80
85	38.22.85
90	38.22.90

# ARTHROSTAB

Ø 4.6 MM Ø 7.0 MM



## Ø 4.6 MM

### INSTRUMENTS

	PRODUCTS	REF.
1	Screwdriver handle AO	14.32.03
2	Screwdriver blade for Ø 4.6 screw	14.30.17
3	Drill head for Ø 4.6 screw	14.37.34
4	Tap Eagle Arthrostab Ø 4.6 screw	14.33.36
5	Drill for Ø 4.6 screw	14.37.33
6	Measurer	14.33.33
7	Pins Ø 1.5 Lg 150 mm 1 punta trocar	14.63.44
8	Storage box	14.10.96

screws are used with 1 tip pin  
Ø 1.5 Lg 150 mm



## Ø 7.0 MM

### INSTRUMENTS

	PRODUCTS	REF.
1	Screwdriver handle Eagle Arthrostab Ø 7.0 screw	14.32.04
2	Drill head for Ø 7.0 screw	14.37.35
3	Screwdriver blade canulated for Ø 7.0 screw	14.30.18
4	K-wire Ø 2.2 Lg 200 mm 1 tip	14.63.10
5	Measurer	14.33.34
6	Canulated drill for Ø 7.0 screw	14.37.36
7	Tap Eagle Arthrostab Ø 7.0 screw	14.33.35
8	Screw driver blade for Ø 7.0 screw	14.30.19
9	Storage box	14.10.97

screws are used with 1 tip pin  
Ø 2.2 Lg 200 mm

# MISS

Ø 2.0 MM

- Standard ISO 5832-3 Titanium screw
- Twist-off, self-drilling and self-tapping screw
- Forefoot
- Sterile packaging

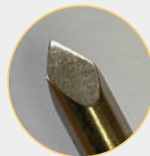


Ø 2.0 mm

Ø 2.0	
LONG.	REF.
13	38.52.13
15	38.52.15
17	38.52.17
19	38.52.19
22	38.52.22

## INSTRUMENTS

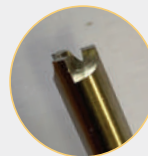
N°	PRODUCTS	REF.
1	Trocar MISS	14.33.25
2	Screwdriver blade MISS	14.30.12
3	Screwdriver handle MISS	14.31.12
4	Cutting guide left	14.33.39
5	Cutting guide right	14.33.39



1

**Trocar MISS**

14.33.25



2

**Screwdriver blade  
MISS**

14.30.12



3

**Screwdriver handle**

# SBS

Ø 2.0

- Standard ISO 5832-3 Titanium screw
- Twist-off, self-drilling and self-tapping screw
- Forefoot
- Sterile packaging



Ø 2.0mm



## Ø 2.0 mm

LONG.	RÉF.
05	14.52.05
06	14.52.06
07	14.52.07
08	14.52.08
09	14.52.09
10	14.52.10
11	14.52.11
12	14.52.12
13	14.52.13
14	14.52.14
15	14.52.15
16	14.52.16
17	14.52.17
18	14.52.18
19	14.52.19
20	14.52.20
21	14.52.21
22	14.52.22
23	14.52.23
24	14.52.24

## INSTRUMENTS

N°	PRODUCTS	REF.
1	Screwdriver blade SBS	14.30.02
2	Screwdriver handle AO	14.32.03



# MY SCREW

Ø 2.5 MM

- Standard ISO 5832-3 Titanium screw
- Self-drilling self-tapping screw
- Forefoot
- Sterile packaging
- K-wire Ø 1.0 for Ø 2.5 mm screw

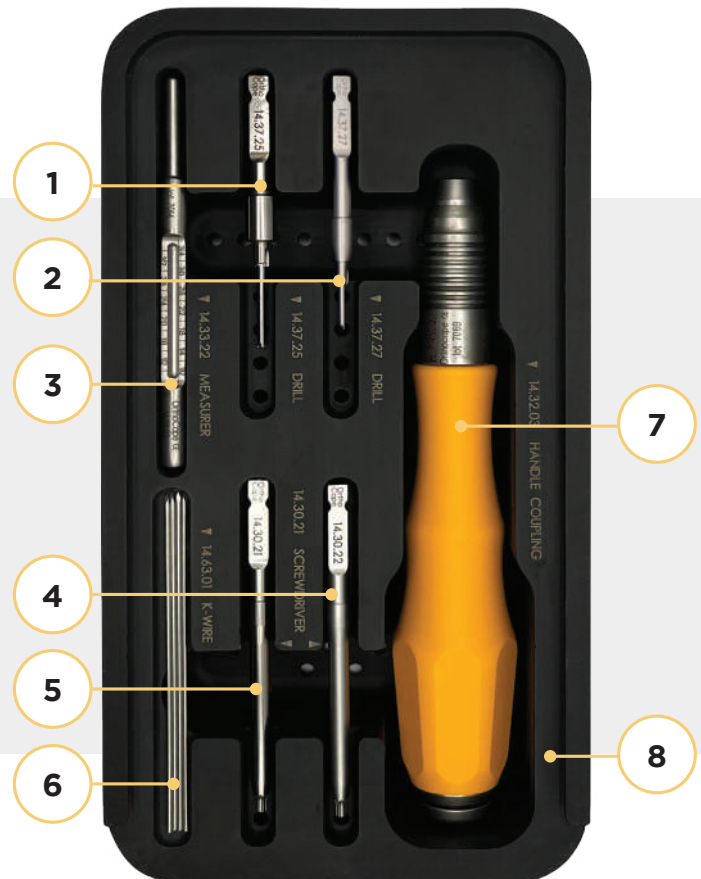
Head Ø 3.5 mm



Ø 2.5 mm	
LONG.	REF.
12	38.88.12
14	38.88.14
16	38.88.16
18	38.88.18
20	38.88.20
22	38.88.22
24	38.88.24
26	38.88.26
28	38.88.28
30	38.88.30
32	38.88.32
34	38.88.34

## INSTRUMENTS

N°	PRODUCTS	REF.
1	Canulated drill for Ø2.5 screw	14.37.25
2	Canulated drill XS for Ø2.5 screw	14.37.27
3	Measurer	14.33.22
4	Screwdriver blade Torx 7	14.30.22
5	Screwdriver blade Torx 7 canulated	14.30.21
6	K-wire Ø 1.0 Lg 70 mm	14.63.01
7	Screwdriver handle AO	14.32.03
8	Storage box	14.10.88



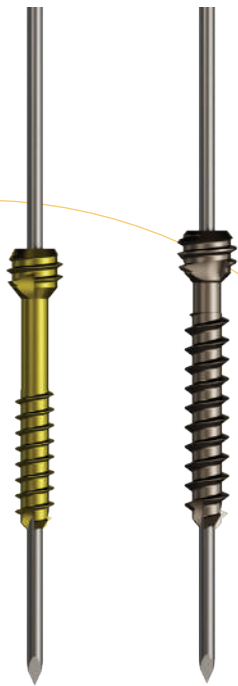
# PPDA

Ø 2.6 MM Ø 3.0 MM

- Standard ISO 5832-3 Titanium screw
- The Self-drilling PPDA® Screw is a Perforated Auto Compression Variable Pitch screw
- Forefoot
- Sterile packaging
- K-wire Ø 1.0 for Ø 2.6 et Ø 3.0 screw

Head Ø 3.6 mm

Head Ø 4.0 mm

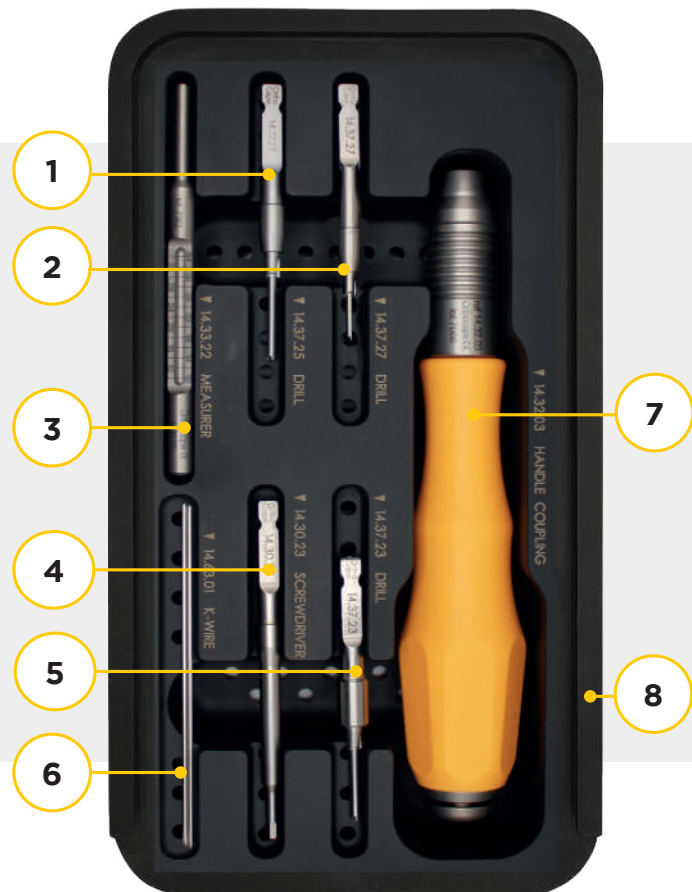


Ø 2.6 mm Ø 3.0 mm

Ø 2.6 mm		Ø 3.0 mm	
LONG.	REF.	LONG.	REF.
12	38.49.12	12	38.65.12
14	38.49.14	14	38.65.14
16	38.49.16	16	38.65.16
18	38.49.18	18	38.65.18
20	38.49.20	20	38.65.20
22	38.49.22	22	38.65.22
24	38.49.24	24	38.65.24
26	38.49.26	26	38.65.26
28	38.49.28	28	38.65.28
30	38.49.30	30	38.65.30
32	38.49.32	32	38.65.32
34	38.49.34	34	38.65.34

## INSTRUMENTS

N°	PRODUCTS	REF.
1	Canulated drill for PPDA Ø 2.6	14.37.25
2	Canulated drill XS for PPDA Ø 2.6	14.37.27
3	Measurer	14.33.22
4	Screwdriver blade for PPDA Ø2.6 & Ø3.0	14.30.23
5	Canulated drill for PPDA Ø 3.0	14.37.23
6	K-wire Ø 1.0 Lg 70 mm	14.63.01
7	Screwdriver handle AO	14.32.03
8	Storage box	14.10.88



# VARISATION STAPLES

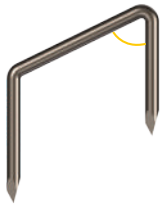
ANGLE 26° OR 90°

- 316L ISO 5832-1 stainless steel
- Sterile packaging
- Osteotomy AKIN

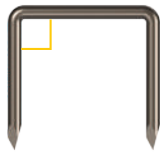
**ANGLE 26°**    **ANGLE 90°**

DISTANCE 8 mm    14.55.04    14.55.02

DISTANCE 10 mm    14.55.03    14.55.01



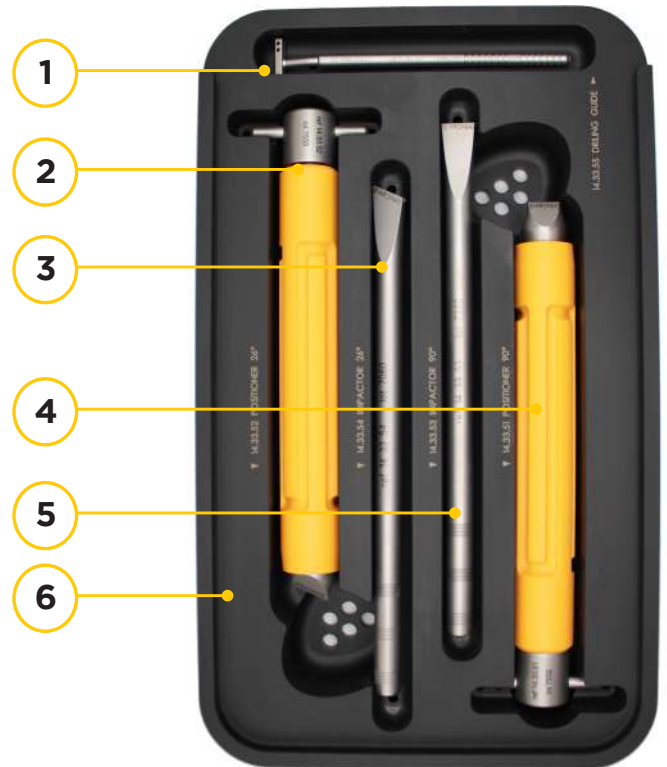
ANGLE 26°



ANGLE 90°

## INSTRUMENTS

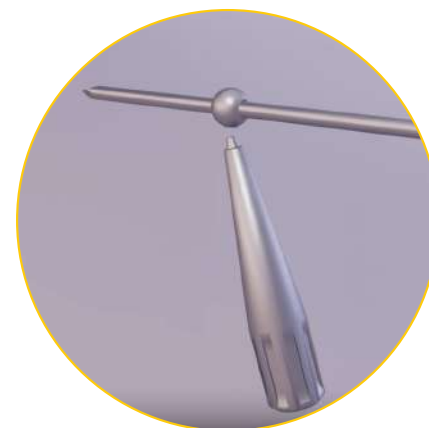
N°	PRODUCTS	REF.
1	Drilling guide	14.33.55
2	Positioner 26°	14.33.52
3	Impactor 26°	14.33.54
4	Positioner 90°	14.33.51
5	Impactor 90°	14.33.53
6	Storage box	14.10.50



# THREADED PIN

LENGHT 150 MM

- 316L ISO 5832-1 pin
- Extremitie triangular
- Singly sterile packaging Pin + ball



THREADED PINS AND ANTI-MIGRATION BALL

**LENGHT. 150 mm**

DIAMETER	REF.
Threaded pins Ø 1.0 mm + anti-migration ball	38.63.13/18
Threaded pins Ø 1.2 mm + anti-migration ball	38.63.14/18
Threaded pins Ø 1.5 mm + anti-migration ball	38.63.15/19
Threaded pins Ø 1.8 mm + anti-migration ball	38.63.16/20
Threaded pins Ø 2.0 mm + anti-migration ball	38.63.17/20

# JACK-S SCREW

6 SIZES



- Titanium screw
- Subtalar screw for calcaneal repositioning
- Easy insertion / Excellent stability
- Treatment of adult and child flatfoot

REF	Ø	LENG.
42-0712	7.0	12
42-0814	8.0	14
42-0914	9.0	14
42-1014	10.0	14
42-1116	11.0	16
42-1216	12.0	16

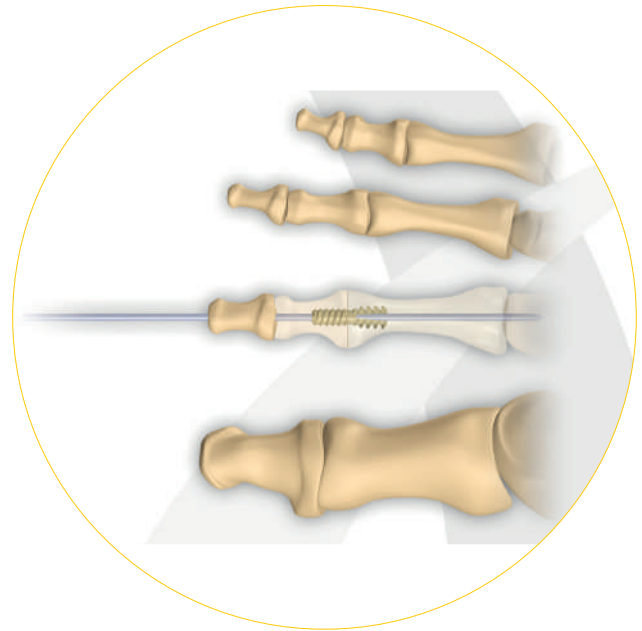
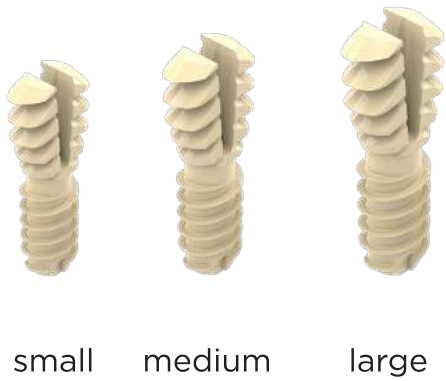
REF	PRODUCT
ML-2000	Box
ML-1007	Threaded gauge Ø 7.0
ML-1008	Threaded gauge Ø 8.0
ML-1009	Threaded gauge Ø 9.0
ML-1010	Threaded gauge Ø 10.0
ML-1011	Threaded gauge Ø 11.0
ML-1012	Threaded gauge Ø 12.0
42-4230	Threaded gauge
42-4220	Extractor
42-4240	Probe
14.63.18	Pin Ø 1.8 Lg2 00
42-4243	Dilatator
55-2951	Screwdriver handle



# HAMMERFIX

3 TAILLES

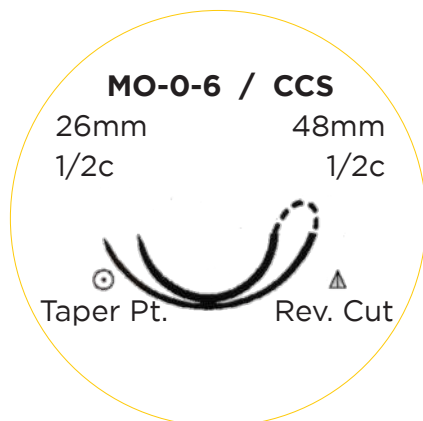
- Zeniva® PEEK
- The implant's lug segment is designed to expand into the proximal phalanx.
- Opposing threads allow for additional compression across the joint.
- Accommodates variations in phalanx size.



	S	M	L
SIZE	2.8	3.4	4.0
OVERALL LENGTH	13.5	15.0	15.0
MAJOR Ø SCREW	2.8	3.4	4.0
MAJOR Ø BARB	4.0	4.5	5.5
BARB LENGTH PROXIMAL	5.5	6.8	6.8
THREADED LENGTH MIDDLE	6.5	7.0	7.0

# TENDON REPAIR

HS 530



- USP 5 / SIZE 7
- Ø 0.7
- Length : 90 cm
- Color : white & green
- Needles 1/2c 26 mm and 1/2c 48 mm
- Non-absorbable surgical suture UHMWPE
- Double needle sutures

## KNEE / ANKLE / HIP



Very easy clamping

## USES

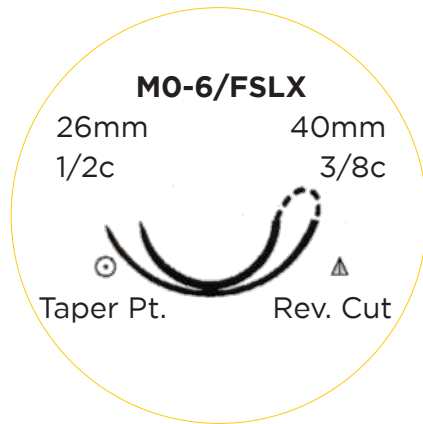
- reinforcement and reinsertion ligament and tendinous
- ideal suture and anchorage on knees hip and ankle

Download CE certificate



# SHOULDER REPAIR FIBER TAPE

HS 1071



- USP 2 (SIZE 5) 0.50mm to 0.599mm
- 0.50 mm flat ribbon
- Length : 100 cm
- Color: blue
- Needles : 1/2 26 mm and 3/8 40 mm
- Non-absorbable surgical suture tape UHMWPE
- Double needle sutures

## SHOULDER

Reinforcement suture in flat ribbon form

Provides a support surface more important while limiting shear risks.

## USES

- Ligament reinforcement
- Tendon anchorage
- Reconstruction
- Tissue approximation

Download CE certificate

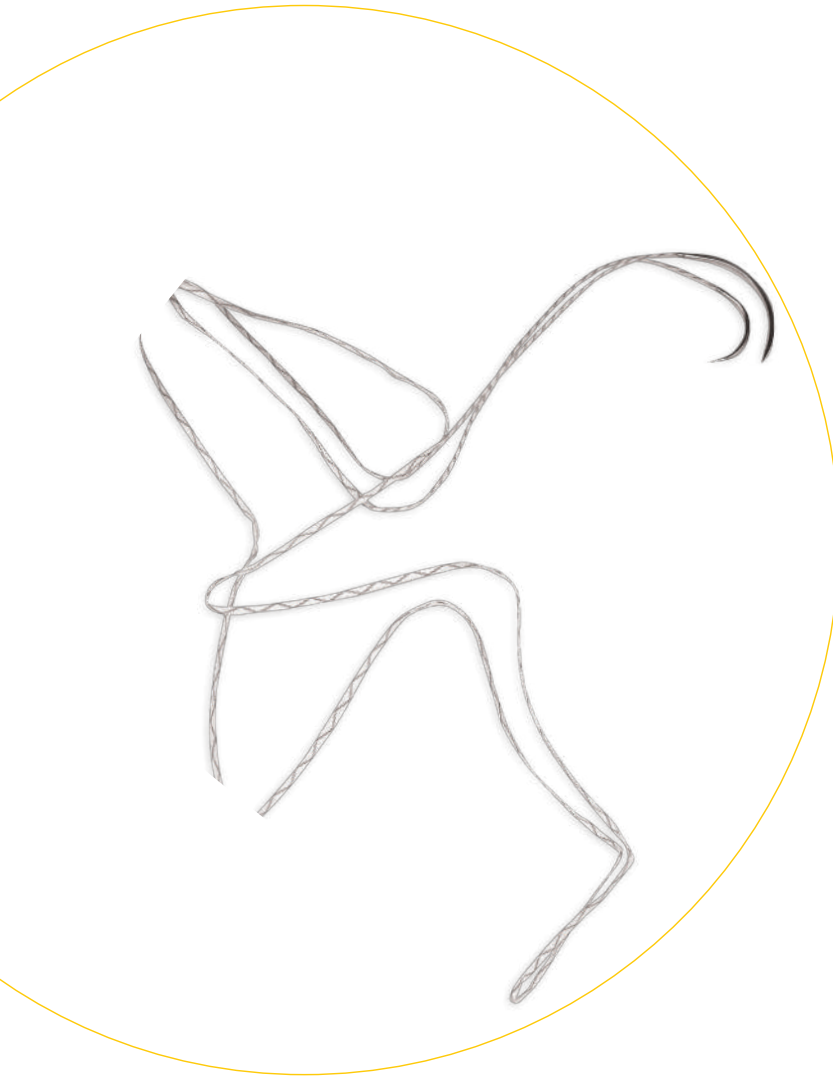
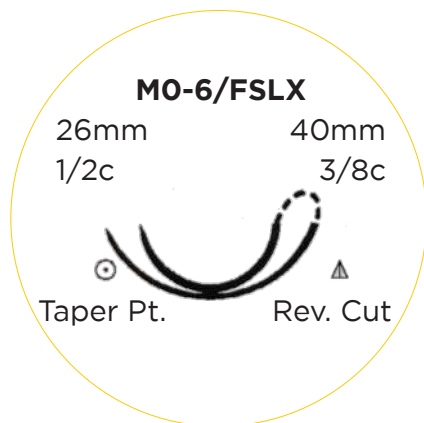


THE REFERENCE THREAD  
FOR  
SHOULDER SURGERY



# SHOULDER AND ANKLE REPAIR FIBER TAPE

HS 1072



- USP 2 (SIZE 5) 0.50mm to 0.599mm
- 0.50 mm flat ribbon
- Length : 100 cm
- Color: blue & white
- Needles : 1/2 26 mm and 3/8 40 mm
- Non-absorbable surgical suture tape UHMWPE
- Double needle sutures

## SHOULDER / ANKLE

Reinforcement suture in flat ribbon form

Provides a support surface more important while limiting shear risks

Two-tone thread for better visibility under arthroscopy

## USES

- Ligament reinforcement
- Tendon anchorage
- Reconstruction
- Tissue approximation

Download CE certificate





Download CE certificate



**[www.ortho-cape.com](http://www.ortho-cape.com)**

IBAN FR76 1027 8022 0000 0210 4320 276 - BIC CMCIFR2A  
N°VAT - FR 61 890810542  
SIRET 890 810 542 00021 - APE